

CORIOLIS MASS FLOWMETERS AND CONTROLLERS

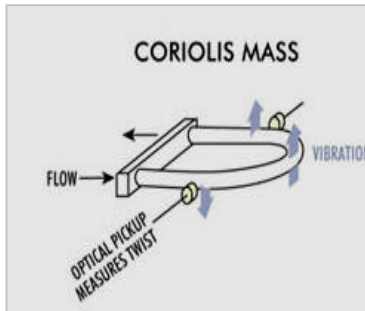
MCFM-Series

Introduction:

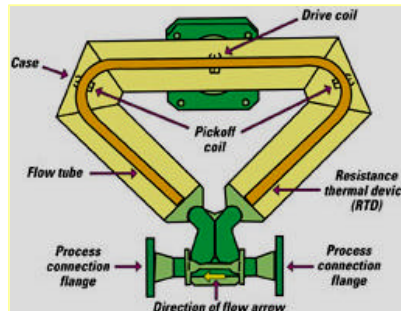
MCFM series of coriolis mass-flowmeters/controllers are available in more than 100 different modes, virtually offering solutions to flow measurement/control for any liquid in varied flow range i.e. 1.0 micro grams per minutes to 100 kilograms per minutes. These flow meters are offered in material like SS-316 (ceramic/Teflon coating), polypropylene, derelin etc to make up with corrosion, thermodynamical and other pertinent physical parameters of fluid/gas under measurement. On account of above, these flow meters are first choice for medical diagnostic, agro, biomedical, petrochemical, automobile, organic/inorganic chemical, milk plant, sugar, textiles, beverages, water management/treatment, academic and defense.

Operating Principle:

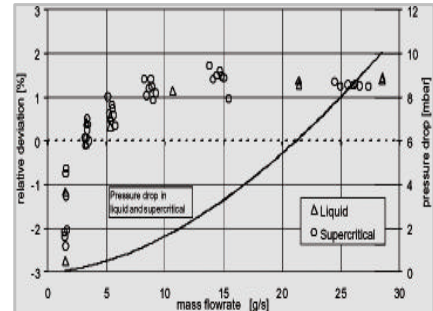
Externally excited pairs of tube under the influence of flow, twists. On account of coriolis forces, there develops a real time phase shift between the arms of vibrating tube. This phase shift is proportional to mass flow and detected by magnetic sensor and is converted into proportional output voltage fed to mass flow computer. Flow controller converts this phase shift into equivalent voltage and is calibrated in term of mass flow rate and totalization.



MCFM- 500



MCFM-050



Performance of coriolis flow meter

ELECTRICAL/MECHANICAL SPECIFICATIONS OF MASS FLOW METER MCFM SERIES FLOW RANGE <1000,00.0Kg/hrs

model	Flow range (Kg/hrs)	Size(inch)	Accuracy	Repeatability	Flow tube-Liner	O.D.P.	Leak rate	Output signal
MCFM-001	1000.0	3/8	99.5	100	Ceramic/PP	2000	<1.8x10 ⁻⁸	0.0-5.0/12.0
MCFM-002	5000.0	1.5	99.5	100	Ceramic/PP	2000	<1.8x10 ⁻⁸	0.0-5.0/12.0
MCFM-010	10,000.0	2.0	99.5	100	Ceramic/PP	2000	<1.8x10 ⁻⁸	0.0-5.0/12.0
MCFM-020	20,000.0	3.0	99.5	100	Ceramic/PP	2000	<1.8x10 ⁻⁸	0.0-5.0/12.0
MCFM-050	50,000.0	4.0	99.5	100	Ceramic/PP	2000	<1.8x10 ⁻⁸	0.0-5.0/12.0
MCFM-100	100,000.0	6.0	99.5	100	Ceramic/PP	2000	<1.8x10 ⁻⁸	0.0-5.0/12.0
MCFM-200	200,000.0	8.0	99.5	100	Ceramic/PP	2000	<1.8x10 ⁻⁸	0.0-5.0/12.0
MCFM-500	500,000.0	10.0	99.5	100	Ceramic/PP	2000	<1.8x10 ⁻⁸	0.0-5.0/12.0
MCFM-1000	1000,000.0	10.0	99.5	100	Ceramic/PP	2000	<1.8x10 ⁻⁸	0.0-5.0/12.0
MCFM-2000	200,000.0	10.0	99.5	100	Ceramic/PP	2000	<1.8x10 ⁻⁸	0.0-5.0/12.0
MCFM-5000	500,000.00	12.0	99.5	100	Ceramic/PP	000	<1.8x10 ⁻⁸	0.0-5.0/12.0

DIGITAL CORIOLIS FLOW CONTROLLER SPECIFICATION:

Operating voltage 220 volts/28 volts D.C.
 Excitation frequency 25/50/200/400 Hz
 Accuracy 99% of set point
 Repeatability 100 percent
 Response time 0.5 – 1.1 milli-seconds
 Interface Signal 0.0-12.0 volts D.C. (proportional to flow rang)
 Flow range 0.1 – 100.0 kg/min
 Step down ratio 1:50(1:100)
 Flow tube material SS-316/Brass/copper with option of flange coupling
 Connector material SS-316/Has-alloy
 Control option Flow rate/totalization control against set point
 Multi flow synchronized control (interactively)
 Display 3½ & 4½ digit red glow LED/LCD display

Standard Coriolis Mass Flow controllers:

MCFC-001	08X06X06	MCFC-002	14X12X12
MCFC-010	10X06X06	MCFC-020	16X14X14
MCFC-050	12X08X08	MCFC-100	18X16X16
MCFC-200	12X10X10	MCFC-500	20X18X18



MCFC-200

MOTORON SEMICONDUCTORS CORPORATION

11, Shri nagar colony, shakti nagar extension, DELHI-110052. Tel:011-23655454/23648181 fax:011-23585424

e.mail: motoronenergy@hotmail.com