

HIGH VOLTAGE/HIGH POWER REACTORS

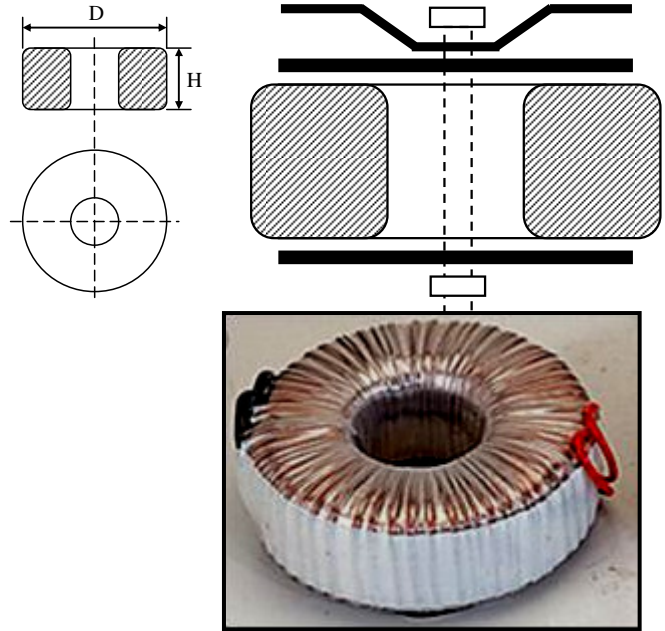
MHVXL -Series

Introduction:

MHVXL series of power toroidal reactors are available in more than 50 different modes (high/low frequency), virtually offering solutions to Current limiting/Filter/neutral grounding/transient limiting/Shunt/HVDC applications/Motor starting/balancing reactors. Company undertakes designing special application reactors.

Advantage:

- Energy efficient due to low no-load current.
- Reduce dv/dt and di/dt
- Better voltage regulation due to low inductance/resistance.
- Minimize flicker / voltage fluctuation/power oscillation
- Compact size/ Unbalanced loads/ Low inrush current.
- High kilo Voltage fluctuation/ Low stress on switch gear
- Enhance capacity of distribution/transmission/transformer/motor
- Reduce stress on switchgear/semiconductor devices



ELECTRICAL & MECHANICAL SPECIFICATION(Low/High frequency):

Reactive Power < 1000,000 VAR

Model	Capacity (VAR)	Insuctance Linear/saturation Milli-henry	Frequency (HZ)	Output (V) r.m.s.	Thermal rise (°C)	Formal Size		Weight kg	Fix-OS (mm)
						H (mm)	D (mm)		
MPPT-103	010000		50/150/250/550/1100/optional	0.44/3.3/6 .6/11/33	≤65	080	180	053	option
MPPT-153	015000		50/150/250/550/1100/optional	0.44/3.3/6 .6/11/33	≤65	100	200	085	option
MPPT-203	020000		50/150/250/550/1100/optional	0.44/3.3/6 .6/11/33	≤65	125	250	110	option
MPPT-253	025000		50/150/250/550/1100/optional	0.44/3.3/6 .6/11/33	≤65	150	300	135	option
MPPT-303	030000		50/150/250/550/1100/optional	0.44/3.3/6 .6/11/33	≤65	200	350	168	option
MPPT-403	040000		50/150/250/550/1100/optional	0.44/3.3/6 .6/11/33	≤65	250	390	230	option
MPPT-503	050000		50/150/250/550/1100/optional	0.44/3.3/6 .6/11/33	≤65	300	600	280	option
MPPT-753	075000		50/150/250/550/1100/optional	0.44/3.3/6 .6/11/33	≤65	500	650	347	option
MPPT-993	100000		50/150/250/550/1100/optional	0.44/3.3/6 .6/11/33	≤65	600	700	605	option

Company may modify some of the specification(electreical/mechanical) in light of operation aspect of site.

MOTORON SEMICONDUCTORS CORPORATION

11, Shri nagar colony, Shakti nagar extension, DELHI-110052. Tel: 011-23655454/23648181
motorons@hotmail.com

HIGH VOLTAGE/HIGH POWER REACTORS

MPPT-Series

ELECTRICAL & MECHANICAL SPECIFICATION(LOW/HIGH FREQUENCY):

Reactive Power < 1000,000 VAR

Model	Capacity (VAR)	Input (V)	Frequency (HZ)	OPERATING VOLTAGE A.C.	Thermal rise (°C)	Formal Size		Weight Kg	Fix-OS (mm)
						H (mm)	D (mm)		
MPPT-302	00200000		50/150/250/550/1100/optional	0.44/3.3/6.6/11/33	≤65	700	750	001500	option
MPPT-502	00500000		50/150/250/550/1100/optional	0.44/3.3/6.6/11/33	≤65	1000	1100	004000	option
MPPT-802	01000000		50/150/250/550/1100/optional	0.44/3.3/6.6/11/33	≤65	1200	1500	008500	option
MPPT-1052	02000000		50/150/250/550/1100/optional	0.44/3.3/6.6/11/33	≤65	1200	1800	018000	option
MPPT-1202	05000000		50/150/250/550/1100/optional	0.44/3.3/6.6/11/33	≤65	1800	2200	030000	option
MPPT-1502	08000000		50/150/250/550/1100/optional	0.44/3.3/6.6/11/33	≤65	2000	2800	062000	option
MPPT-1902	15000000		50/150/250/550/1100/optional	0.44/3.3/6.6/11/33	≤65	3000	3200	130000	option
MPPT-2402	25000000		50/150/250/550/1100/optional	0.44/3.3/6.6/11/33	≤65	3800	3400	26000	option
MPPT-3002	50000000		50/150/250/550/1100/optional	0.44/3.3/6.6/11/33	≤65	4500	6200	52000	option
MPPT-5002	70000000		50/150/250/550/1100/optional	0.44/3.3/6.6/11/33	≤65	6000	8000	84000	option
MPPT-5002	80000000		50/150/250/550/1100/optional	0.44/3.3/6.6/11/33	NOT MFR	nOT MFR	not MFR	not mfr	option
MPPT-5002	99999999		50/150/250/550/1100/optional	0.44/3.3/6.6/11/33	NOT MFR	nOT MFR	nOT MFR	not mfr	option

Company may modify some of the specification(electrical/mechanical) in light of operation aspect of site.



AIR CORED REACTOR



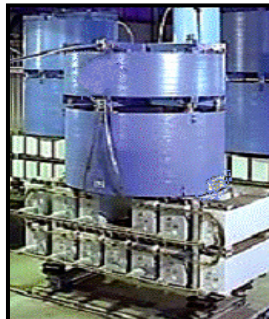
TUNING REACTOR



three phase current limiting reactor



Plinth mounted H.V. Harmonic reactor



high voltage passive harmonic filter



Pole mounted harmonic filter

MOTORON SEMICONDUCTORS CORPORATION

11, Shri nagar colony, Shakti nagar extension, DELHI-110052. Tel: 011-23655454/23648181

motorons@hotmail.com